



SUBMITTAL DATA SHEET	
EL_IN_00078.docx	Rev. -0
Sheet 1 of 3	

# ELOFIT SOCKET FUSION FITTINGS

## REDUCED TEE



**ITEM:** 12EISTR\_  
**SIZE RANGE:** 1" IPS x 1" IPS x 3/4" IPS ÷ 2" IPS x 2" IPS x 1 1/2" IPS  
**SDR:** 11  
**FUSION RANGE:** for Socket Fusion – SDR 11 and up  
**MATERIAL:** PE4710 / PE100  
**COLOR:** black

**INSTALLATION INSTRUCTION:**

Socket Fusion – Socket Fusion in accordance with DVS 2207, ASTM D2657 and Nupi Elofit Installation Manual

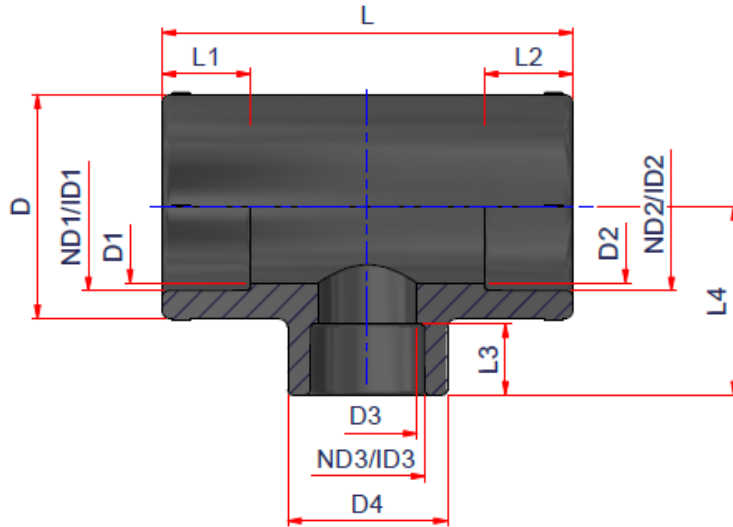
**LISTINGS:** ANSI/NSF 61  
**STANDARDS:** ASTM D2513, ASTM D2683, ASTM D3350, AWWA C901

**MAXIMUM OPERATING PRESSURE:**

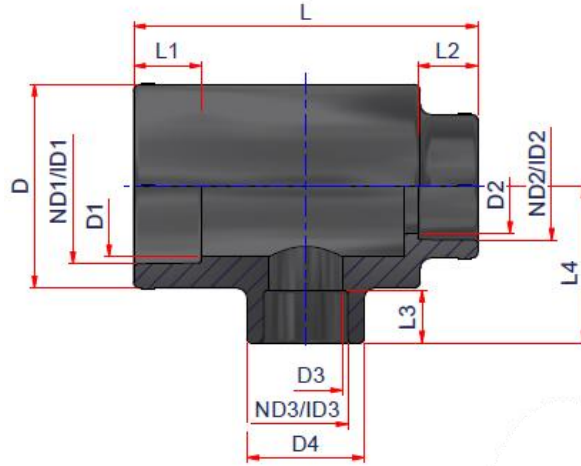
PRESSURE RATING (psi) at 73°F					
SDR	Nominal	Water (0.63 DSF)	Water (0.5 DSF)	Gas (0.32 DSF)	Gas (0.4 DSF)
11	230	200	160	100	125

**PRODUCT INFORMATION AND APPLICATION USE:**

The fittings referred to in the present Product Specification are intended to be installed by the Socket Heat Fusion method as per ASTM F2620 standard for installation. Fusion jointing must always be performed by qualified personnel, using equipment conforming to ASTM F1056. Pressure testing after installation must be executed according with ASTM F2164 or Company’s procedures.



CODE	Weight lbs/pc	Volume ft <sup>3</sup> /pc	ND1	ID1	L1	D1	ND2	ID2	L2	D2	ND3	ID3	L3	D3	D4	L	L4	D
12EISTRO101034	0.167	0.0098	1" IPS	1.315	0.79	1.10	1" IPS	1.315	0.79	1.10	3/4" IPS	1.050	0.67	0.87	1.38	3.39	1.58	1.77
12EISTR114114034	0.260	0.0177	1 1/4" IPS	1.660	0.91	1.42	1 1/4" IPS	1.660	0.91	1.42	3/4" IPS	1.050	0.67	0.87	1.38	3.86	1.69	2.16
12EISTR11411401	0.285	0.0177	1 1/4" IPS	1.660	0.91	1.42	1 1/4" IPS	1.660	0.91	1.42	1" IPS	1.315	0.79	1.10	1.77	3.86	1.81	2.16
12EISTR112112034	0.402	0.0280	1 1/2" IPS	1.900	0.98	1.69	1 1/2" IPS	1.900	0.98	1.69	3/4" IPS	1.050	0.67	0.87	1.38	4.57	1.97	2.48
12EISTR11211201	0.397	0.0240	1 1/2" IPS	1.900	0.98	1.69	1 1/2" IPS	1.900	0.98	1.69	1" IPS	1.315	0.79	1.10	1.78	4.57	2.09	2.48
12EISTR112112114	0.418	0.0280	1 1/2" IPS	1.900	0.98	1.69	1 1/2" IPS	1.900	0.98	1.69	1 1/4" IPS	1.660	0.91	1.41	2.17	4.57	2.20	2.48
12EISTRO202034	0.616	0.0410	2" IPS	2.375	1.02	2.13	2" IPS	2.375	1.02	2.13	3/4" IPS	1.050	0.67	0.87	1.38	5.20	2.24	3.07
12EISTRO20201	0.664	0.0443	2" IPS	2.375	1.02	2.13	2" IPS	2.375	1.02	2.13	1" IPS	1.315	0.79	1.10	1.78	5.20	2.36	3.07
12EISTRO202114	0.695	0.0533	2" IPS	2.375	1.02	2.13	2" IPS	2.375	1.02	2.13	1 1/4" IPS	1.660	0.91	1.42	2.17	5.20	2.48	3.07
12EISTRO202112	0.698	0.0533	2" IPS	2.375	1.02	2.13	2" IPS	2.375	1.02	2.13	1 1/2" IPS	1.900	0.98	1.69	2.17	5.20	2.48	3.07



CODE	Weight lbs/pc	Volume ft <sup>3</sup> /pc	ND1	ID1	L1	D1	ND2	ID2	L2	D2	ND3	ID3	L3	D3	D4	L	L4	D
12EISTR114034034	0.265	0.0147	1 1/4" IPS	1.660	0.91	1.42	3/4" IPS	1.050	0.67	0.87	3/4" IPS	1.050	0.67	0.87	1.38	3.86	1.69	2.16
12EISTR1140101	0.280	0.0177	1 1/4" IPS	1.660	0.91	1.42	1" IPS	1.315	0.79	1.10	1" IPS	1.315	0.79	1.10	1.77	3.86	1.81	2.16
12EISTR112114034	0.389	0.0280	1 1/2" IPS	1.900	0.98	1.69	1 1/4" IPS	1.660	0.91	1.42	3/4" IPS	1.050	0.67	0.87	1.38	4.57	1.97	2.48
12EISTR11211401	0.392	0.0240	1 1/2" IPS	1.900	0.98	1.69	1 1/4" IPS	1.660	0.91	1.42	1" IPS	1.315	0.79	1.10	1.77	4.57	2.09	2.48
12EISTR112114114	0.416	0.0267	1 1/2" IPS	1.900	0.98	1.69	1 1/4" IPS	1.660	0.91	1.42	1 1/4" IPS	1.660	0.91	1.42	2.16	4.57	2.20	2.48
12EISTRO2114034	0.629	0.0443	2" IPS	2.375	1.02	2.13	1 1/4" IPS	1.660	0.91	1.42	3/4" IPS	1.050	0.67	0.87	1.38	5.20	2.24	3.07
12EISTRO211401	0.640	0.0443	2" IPS	2.375	1.02	2.13	1 1/4" IPS	1.660	0.91	1.42	1" IPS	1.315	0.79	1.10	1.77	5.20	2.36	3.07
12EISTRO2114114	0.664	0.0443	2" IPS	2.375	1.02	2.13	1 1/4" IPS	1.660	0.91	1.42	1 1/4" IPS	1.660	0.91	1.42	2.17	5.20	2.48	3.07
12EISTRO2112034	0.651	0.0466	2" IPS	2.375	1.02	2.13	1 1/2" IPS	1.900	0.98	1.69	3/4" IPS	1.050	0.67	0.87	1.38	5.20	2.24	3.07
12EISTRO211201	0.682	0.0560	2" IPS	2.375	1.02	2.13	1 1/2" IPS	1.900	0.98	1.69	1" IPS	1.315	0.79	1.10	1.77	5.20	2.36	3.07
12EISTRO2112114	0.680	0.0443	2" IPS	2.375	1.02	2.13	1 1/2" IPS	1.900	0.98	1.69	1 1/4" IPS	1.660	0.91	1.42	2.17	5.20	2.48	3.07

**MANUFACTURER’S WARRANTY:**

Thirty (30) Years from the date of sale upon successful completion of pressure test of the piping system (refer to published warranty for complete details).

**NOTE:**

- \* More information can be found on ELOFIT TECHNICAL CATALOGUE.
- \*\* Technical Data may undergo dimensional changes, check revision at the top.